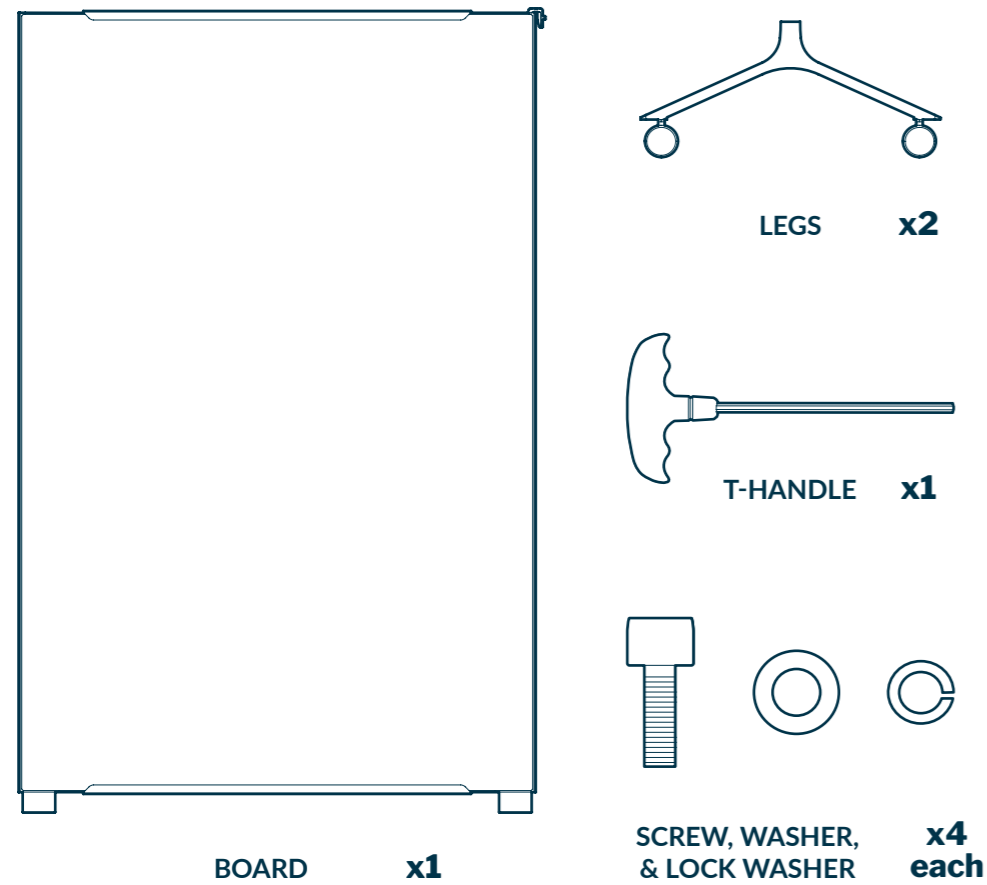


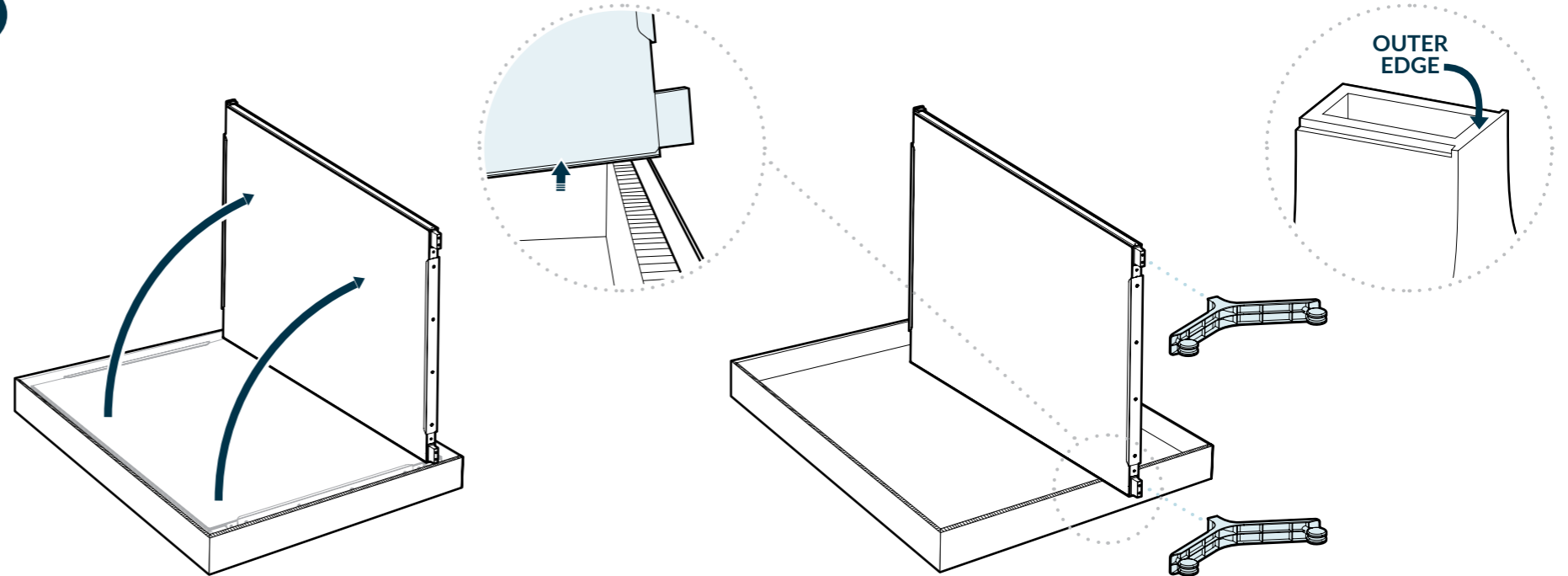
Mobile Glass Board 40x72

2 People
Required

vari®

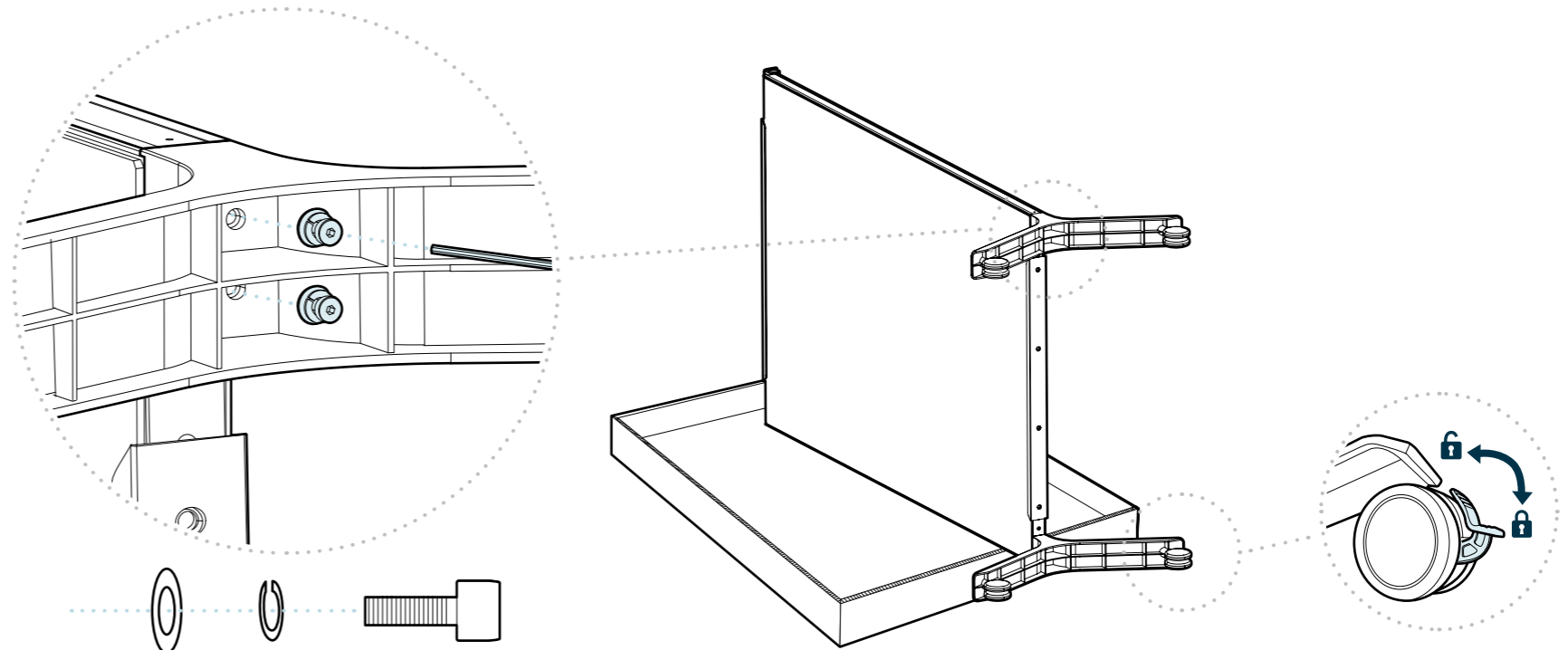
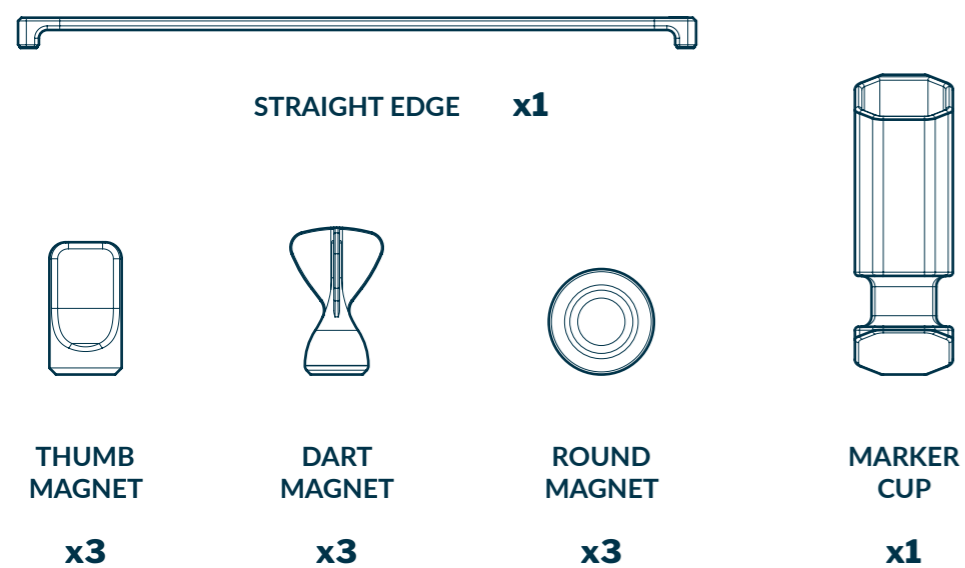


1



After unboxing, with one person on each side of the board, tip the board upright onto its side. Raise the bottom end of the board to rest on the edge of the box. Align the outer edge of each foot with the outer sides of the board, then slide the feet onto receiving pegs on the bottom of the board.

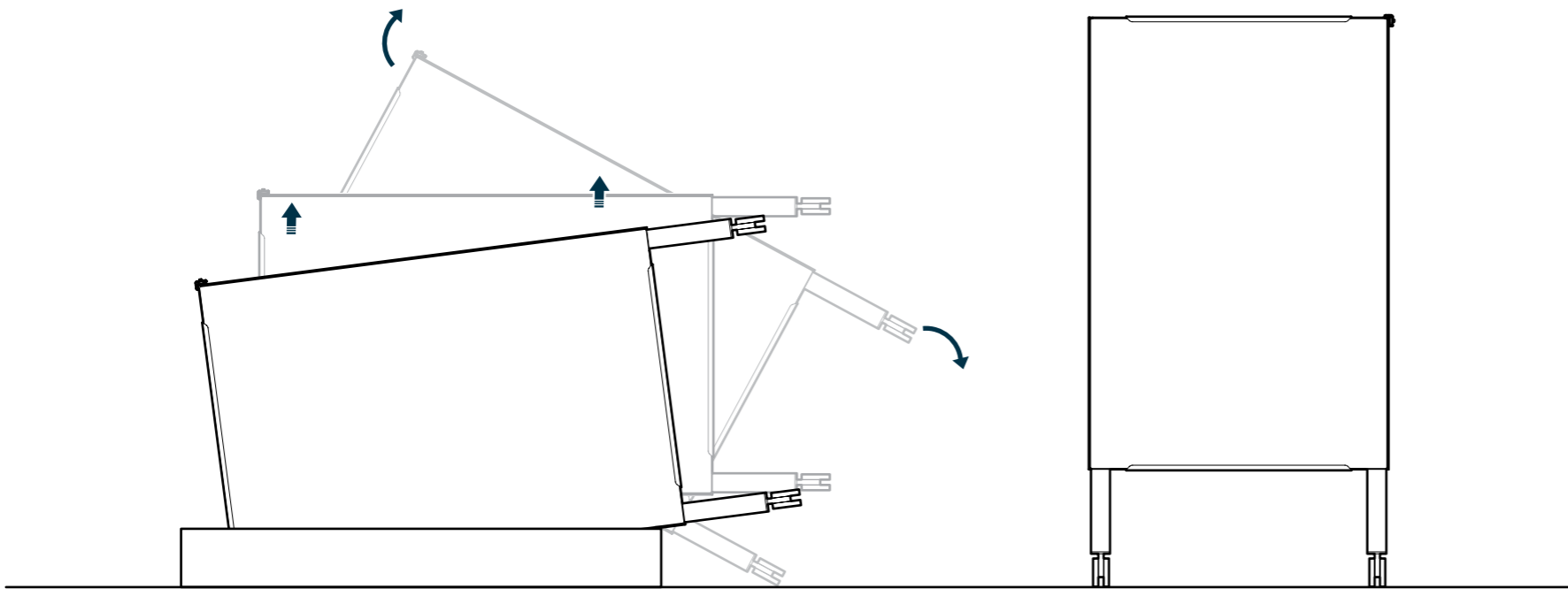
2



Next, use the provided T-Handle and hardware to attach the feet to the receiving pegs. Place one lock washer on the screw followed by one washer, then screw into the bottom of the feet. Repeat until all four screws are in place. Lock the casters to keep the wheels from rotating.

 (800) 207-2587

3



After locking the casters, with one person on each side of the board, lift it up and rotate it into a vertical position. Gently place the feet on the ground.

Care and Cleaning

GLASS: For initial cleaning, use standard glass cleaner and a lint-free (microfiber) cloth to remove any residue. Allow surface to dry before use. Use a whiteboard eraser or a lint-free (microfiber) cloth to remove dry erase marker. Avoid using harsh or abrasive cleaners and do not over clean, as it can damage the board. Designed for use with dry erase markers only; do not use standard or permanent markers.



WARNING: Accessories contain magnets, which may be harmful to pacemaker wearers.

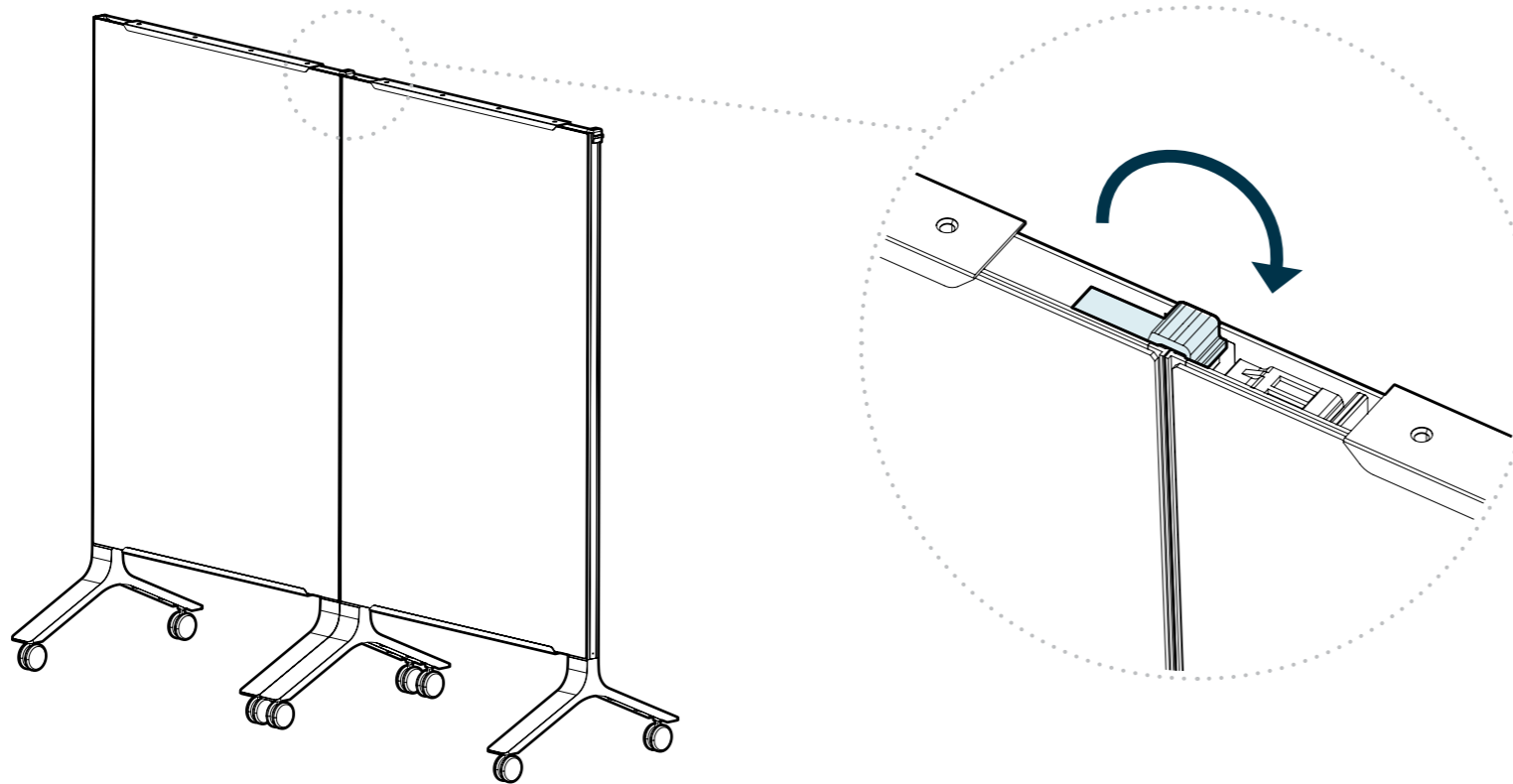


WARNING: To prevent injuries and product failure, do not use this board for standing, climbing, or leaning. Do not use product if it is damaged.



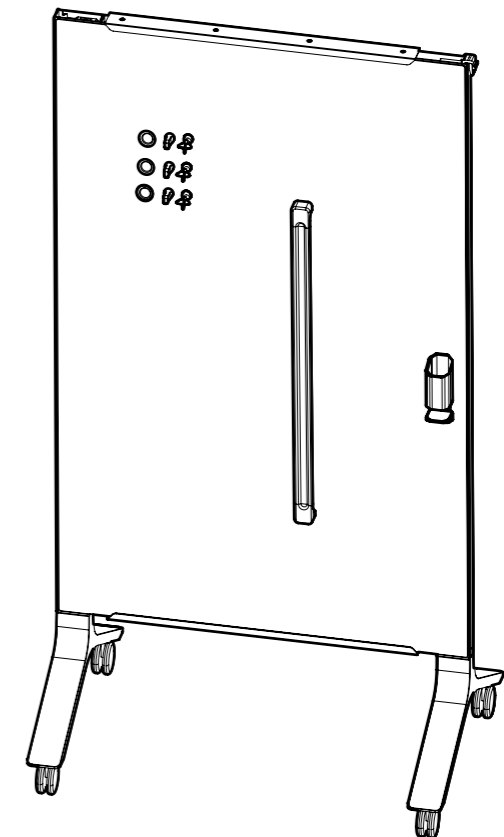
TIPPING HAZARD: To avoid tipping board and causing injury, unlock casters before moving. If the wheels get stuck or obstructed while moving, clear the obstruction before continuing to push.

Connecting Multiple Mobile Glass Boards



To connect two or more boards together, align the boards side by side and flip the plastic connector on one board over to latch onto the top edge of another board.

Mobile Glass Board Accessories



Use the magnets to hold items into place on the board and the cup to hold your eraser and markers. The straight edge can be used for drawing straight lines on the board.